

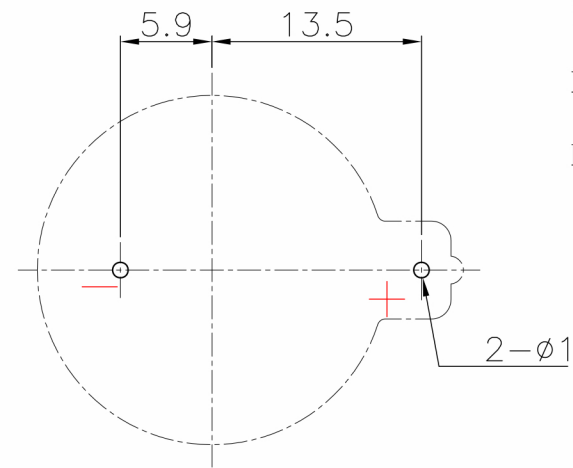
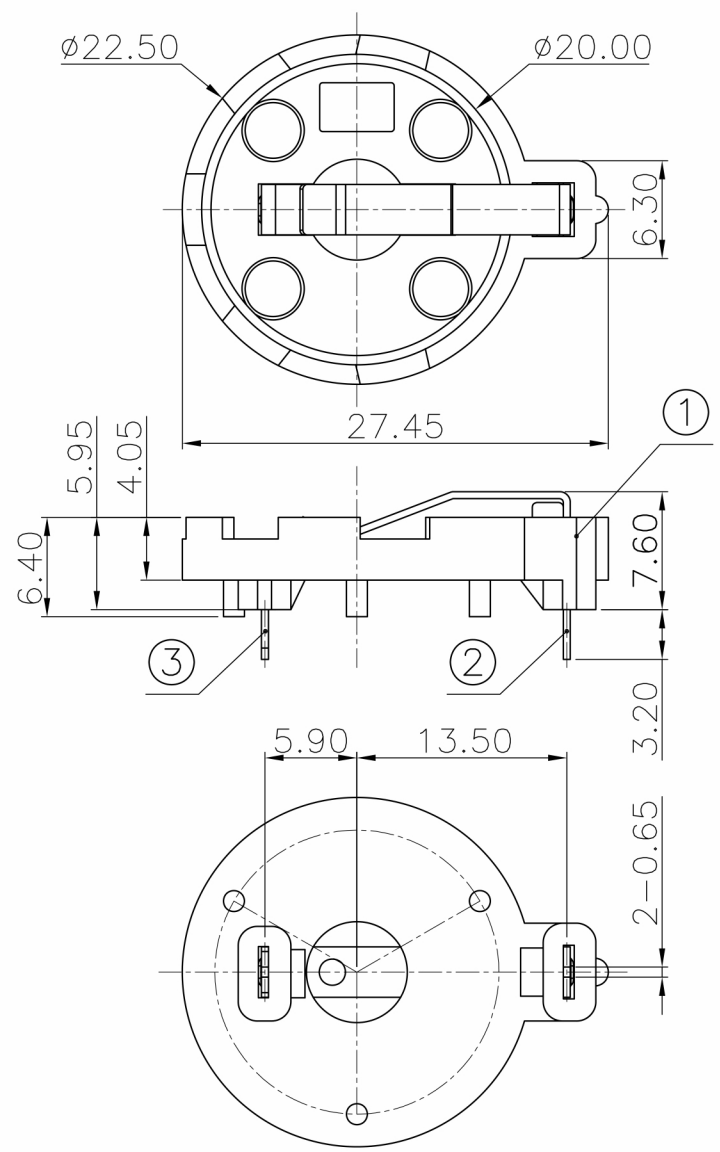


REV.	ECN NO.	REVISED	DATE

NOTE:

1.MATERIAL:
a.HOUSING:PBT
b.CONTACT:Mn Steel
(SURFACE PLATING: Ni100u"-120u")
SEE ORDERING INFORMATION

2.ELECTRIC:
a.CONTACT RESISTANCE: 30 MILLIOHMS MAX
b.INSULATION RESISTANCE: 1000 MEGA OHMS MIN
c.DIELECTNIC VOLTAGE: 500V AC ONE SEC LEVEL
d.OPERATING TEMPERATURE: -25°C~ +85°C



ORDERING INFORMATION
BS-03-A*002**

电池座系列
BS-03系列
DIP 90° TYPE

PLATING:
A-Au1U"
J-Ni100U"~120U"
K-Sn100U"~120U"

MATERIAL:
1A-PBT BLACK
1B-PA66 BLACK
2A-PPA BROWN
2B-PPA BLACK
3A-PPS BROWN
3B-PPS BLACK
4A-LCP WHITE
4B-LCP BLACK



PCB Layout Diagram
Top View

NO.	PART NAME	Q'TY	MATERIAL	PLATING & COLOR
3	TERMINAL(-)	1	Mn Steel, T=0.50mm	Ni Plating
2	TERMINAL(+)	1	Mn Steel, T=0.50mm	Ni Plating
1	HOUSING	1	PBT	BLACK

UNLESS OTHERWISE SPECIFIED TOLERANCES		Makumi 深圳市芯魅能源科技有限公司 Shenzhen Makumi Energy Technology Co., Ltd	
DECIMALS: X :±0.30 X.X :±0.25 X.XX :±0.20 X.XXX :±0.10	ANGLES: X :±1° X.X :±0.5°	DSND YangFeng	DATE 2017-07-16
WEIGHT: 1.90g		CHKD ZhouRuicai	DATE 2017-07-16
SHEET 1 OF 1		APVD XueShunyong	DATE 2017-07-16
UNIT: mm	REV.: A/0	SCALE: 2:1	VIEW:
OBJECT: MY	TITLE: BS-2032-3-1	SIZE: A4	PART NO.: BS-03-A1AJ002
			DRAW NO.:MJ-CP-0025