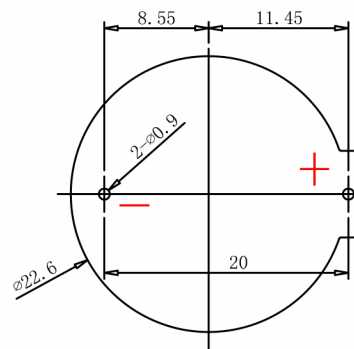
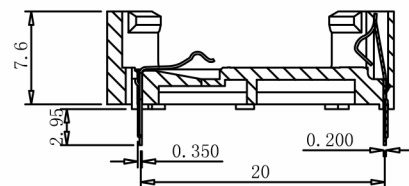
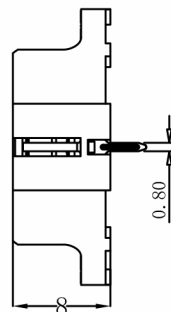
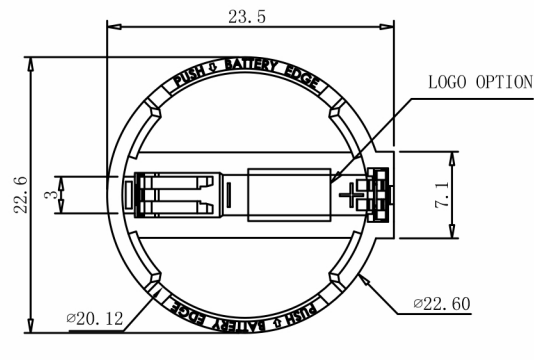




REV.	ECN NO.	REVISED	DATE



PCB Layout Diagram  
Top View

NOTE:

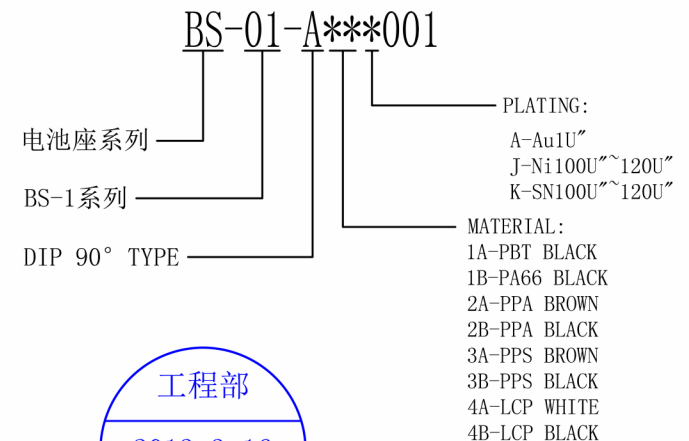
1. MATERIAL:

- a. HOUSING: THERMOPLASTIC GLASS FIBRE UL94V-0
- b. CONTACT: PHOSPHOR BRONZE  
(SURFACE PLATING: SN 100u")  
SEE ORDERING INFORMATION

2. ELECTRIC:

- a. CONTACT RESISTANCE: 30 MILLIOHMS MAX
- b. INSULATION RESISTANCE: 1000 MEGA OHMS MIN
- c. DIELECTRIC VOLTAGE: 750V AC ONE SEC LEVEL
- d. OPERATING TEMPERATURE: -25° C ~ +85° C

## ORDERING INFORMATION



3	TERMINAL (-)	1	PHOSPHOR BRONZE, T=0.20MM	Sn-Plating
2	TERMINAL (+)	1	PHOSPHOR BRONZE, T=0.20MM	Sn-Plating
1	HOUSING	1	PBT	BLACK
NO.	PART NAME	Q'TY	MATERIAL	PLATING & COLOR

UNLESS OTHERWISE SPECIFIED TOLERANCES:		深圳市芯魅能源科技有限公司 Shenzhen Makumi Energy Technology Co., Ltd				
DECIMALS: X : ±0.30 X.X : ±0.25 X.XX : ±0.20 X.XXX : ±0.10	ANGLES: X : ±1° X.X : ±0.5°	SCALE: 1:1	SIZE: A4	VIEW:	PART NO: BS-01-A1AK001	
WEIGHT: 0.8 g		UNIT: mm	REV.: A/0	OBJECT: MY	TITLE: BS-2032-1	
SHEET 1 OF 1		DSND	YangFeng	DATE		2013. 3. 14
		CHKD	ZhouRuicai	DATE		2013. 3. 15
		APVD	XueZhengy	DATE	2013. 3. 15	